

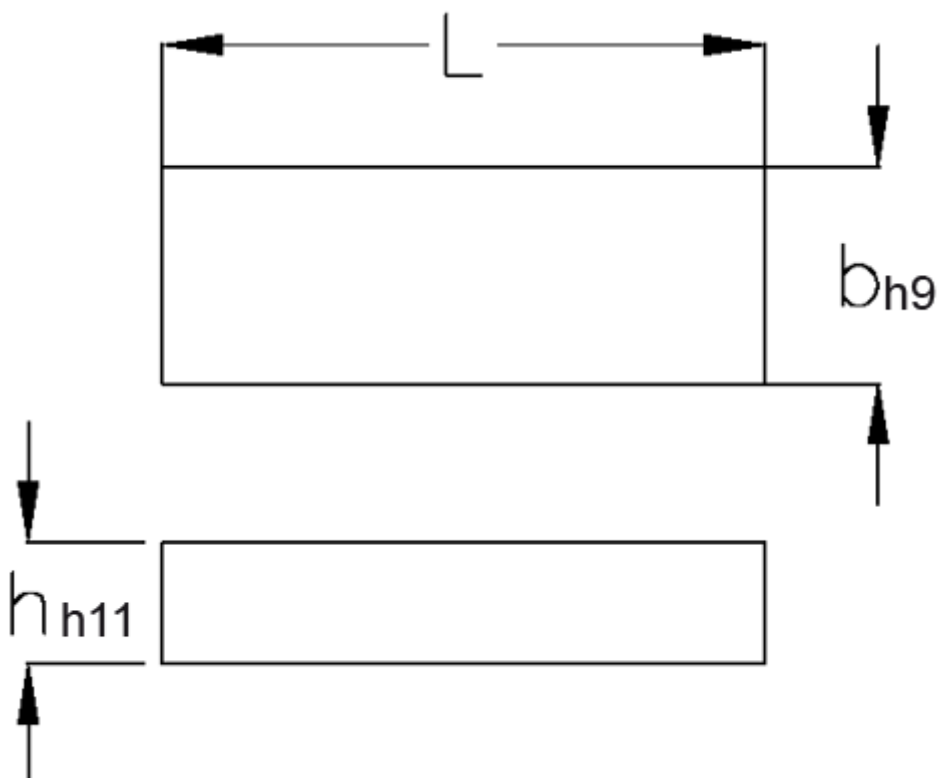
# Data Sheet



Article number: 090610850

Description: KLEE Feather keys B 10x8x50 DIN 6885

## Measures



b = 10

h = 8

L = 50

Tolerance b = 0.036

Tolerance h = 0.090

Tolerance L = -0,3